

Quick Start Guide

XKID Hood Assembly



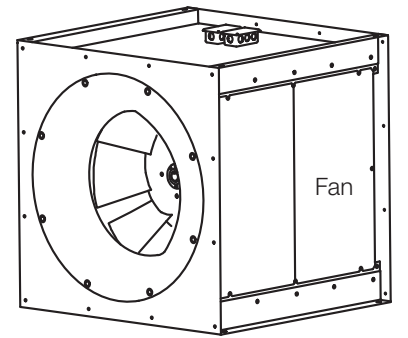
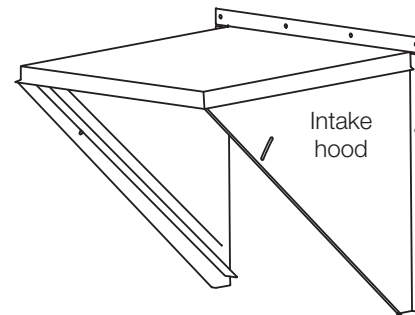
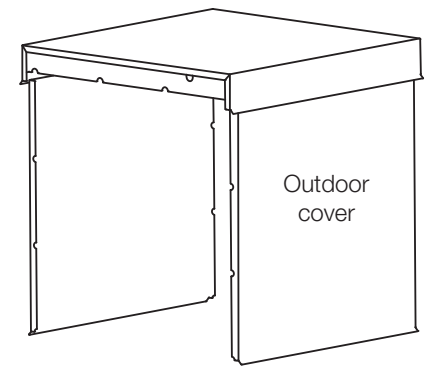
- For horizontal intake fans sizes 27-33 and bottom intake fans sizes 24-33, the hood and outdoor cover parts are shipped separate from the fan and require field assembly
- This Quick Start Guide does not replace the Installation Operation Manual (IOM), refer to the IOM for more information
- Installation process for the horizontal and bottom intake hoods are the same

Parts List

- (1) Fan
- Outdoor cover kit
 - (2) End caps
 - (2) Mullions (excluding size 24)
- Side panels
 - (2) Size 24
 - (4) Size 27-33
- Top panel(s)
 - (1) Size 24
 - (2) Size 27-33
- (2) Hardware kit
- (1) Conduit kit
- Intake hood
 - (2) Side panels
 - Top panel(s)
 - (1) Horizontal intake
 - (2) Bottom intake
 - (4) Filter track
- Filters
- Sealant (supplied by others)
- (1) Disconnect switch (optional)
- (1) Isolator kit (optional)
- Liquid-tight conduit (supplied by others)

Tools List

- Impact driver
- 1/2 inch nut driver
- 5/16 inch nut driver
- C clamp locking pliers

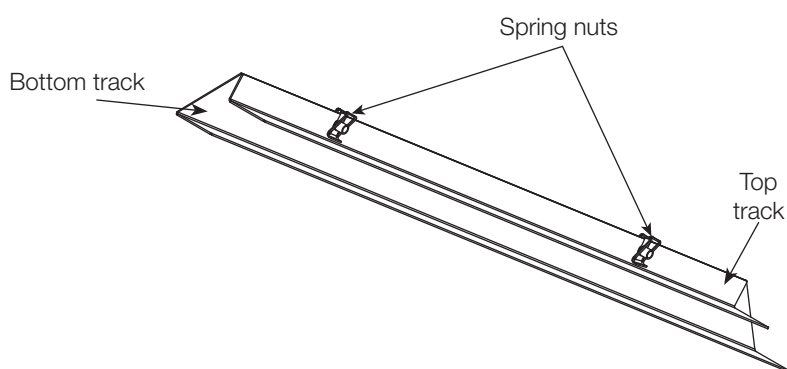


Step 1 - Mount Fan in Place

- Place the fan in the desired location and mount to the curb or equipment supports per the IOM

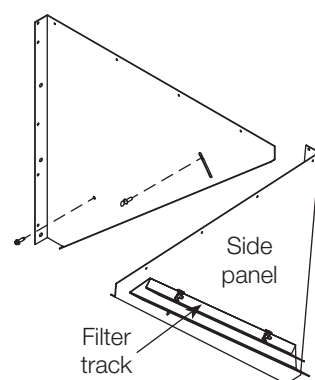
Step 2 - Assemble Filter Tracks x2

- **NOTE:** For units with the hood already installed, skip to Step 6 for ductwork installation instructions
- Align the holes on the top and bottom filter tracks and install a spring nut over the two overlapping holes. Depending on the fan configuration the filter tracks may utilize a different design than shown



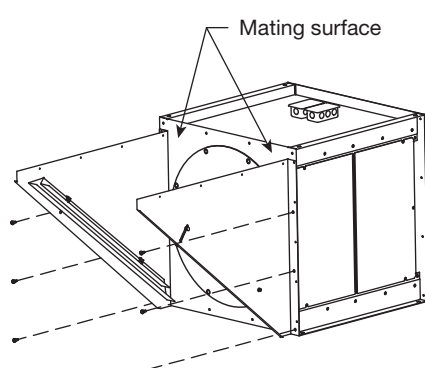
Step 3 - Fasten Filter Tracks to Side Panels

- Install a 1/4 inch thumb screw in the slot and 1/4 inch bolt in the hole to tighten into the spring nuts
- Position filter tracks on the opposite side of the side panel flanges



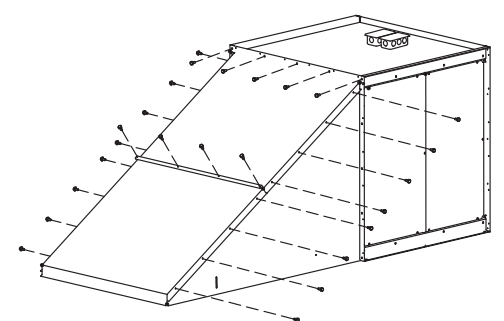
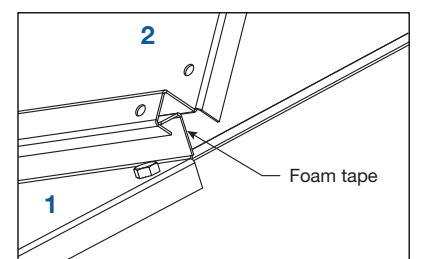
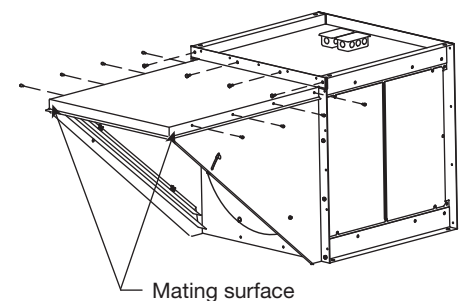
Step 4 - Install Side Panels

- Apply sealant to the mating surface of the inlet panel
- Use the provided 5/16 inch fasteners to install both side panels to the inlet of the fan with filter tracks facing each other, do not fully tighten



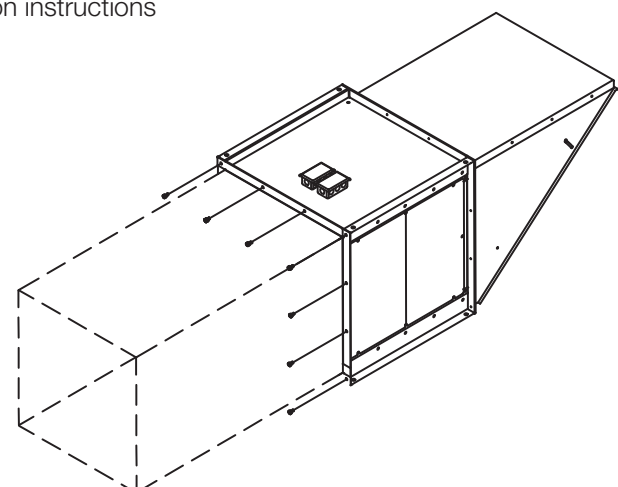
Step 5 - Install Top Panel

- Horizontal intake:
 1. Apply sealant to the mating surface of the inlet panel
 2. Place the top panel on top of both side panels and against the inlet panel (ensure side panels are inside the top panel)
 3. Use the provided 5/16 inch fasteners to attach the top panel to the inlet of the fan
 4. Use the provided sheet metal screws to fasten the top panel to the side panels
 5. Fully tighten the 5/16 inch fasteners holding the side plates to the inlet plate
- Bottom intake:
 1. Install the first panel with the single return flange using the provided self-tapping sheet metal screws (reference 1)
 2. Install the second hood top panel with the double return flange by hinging it around the first panel as illustrated (reference 2)
 3. Use the self-tapping sheet metal screws to mount the second panel



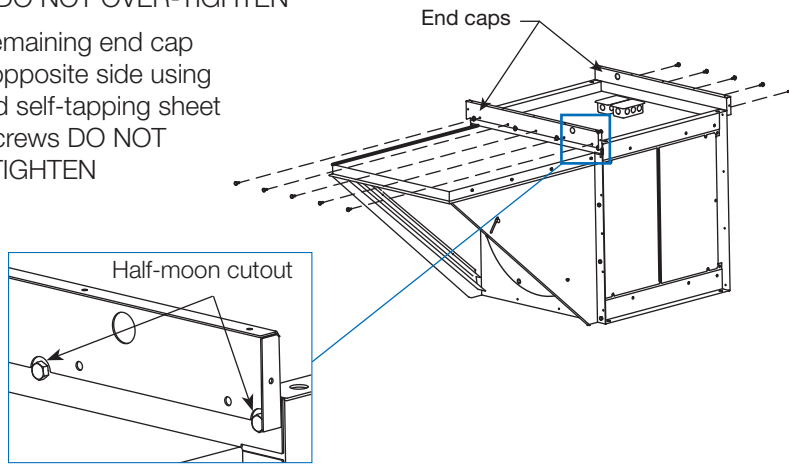
Step 6 (Horizontal Discharge Only) - Install Ductwork

- Apply sealant to the mating surface of fan outlet
- Use the provided holes to mount ductwork and/or duct adapters to the horizontal discharge of fan (hardware supplied by others). C-clamp locking pliers can be used to hold the duct
- **NOTE:** For units with the hood already installed, skip to step 10 for further installation instructions



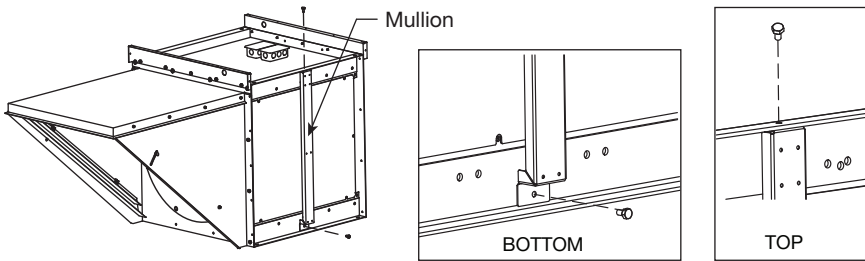
Step 7 - Install End Caps

- TAKE CARE NOT TO DAMAGE THE FOAM TAPE ON THESE PARTS
- With the flanges away from the fan, align the half-moon cutouts on the end cap with the screws on the inlet and outlet
- Use the provided self-tapping sheet metal screws to fasten the end cap to the fan DO NOT OVER-TIGHTEN
- Install remaining end cap on the opposite side using provided self-tapping sheet metal screws DO NOT OVER-TIGHTEN



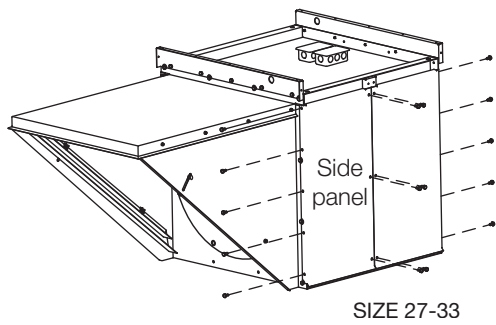
Step 8 (Sizes 27-33 only) - Install Side Mullions

- Install the left and right side mullions using two self-tapping sheet metal screws per side



Step 9 - Install Side Panels

- Install with the drip edge down and align the half-moon cutouts on the side panel with the inlet and outlet fasteners
- Fasten the side panels to the fan with the provided sheet metal screws
- Sizes 27-33 have (2) panels per side, which are fastened to the mullions and to the inlet and outlet plates



Step 10 - Mount Disconnect Switch (if applicable)

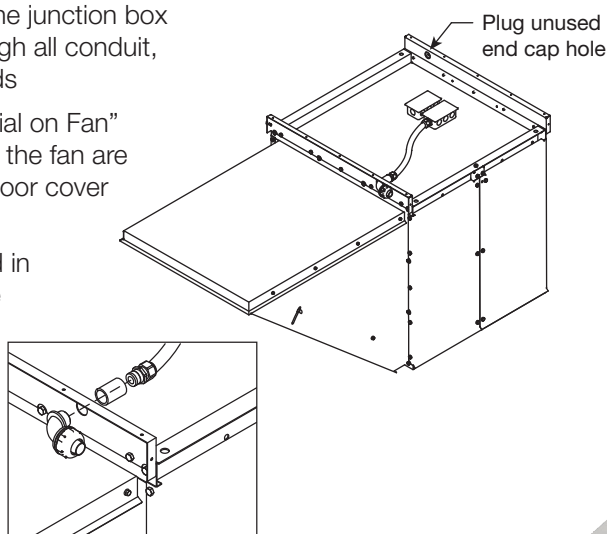
- **NOTE:** For units with the hood already installed, in order to route wiring the top panel in Step 13 must be removed and reinstalled
- Determine ideal location for the disconnect switch
- Install disconnect per manufacturer's suggestions

Step 11 - Install Conduit

- Connect the provided flexible metal conduit (FMC) to the power junction box
- Route the opposite end of the conduit assembly with the female connector to the hole in end cap
- Insert the liquid-tight connector into the hole in the end cap and screw into the female connector, as shown
- Cut the liquid-tight conduit (supplied by the contractor) to length, and install from the elbow to the disconnect switch or power supply

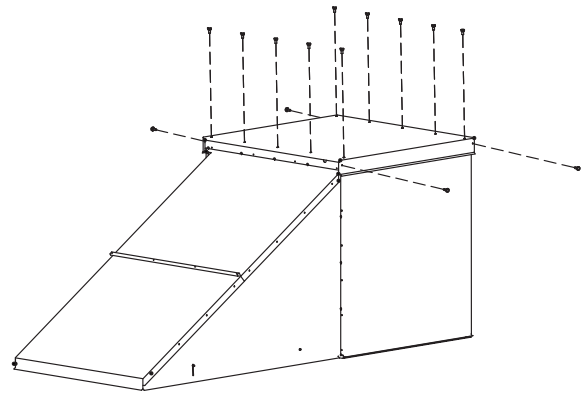
Step 12 - Route Wiring to Junction Box

- Route the wiring from the junction box to the disconnect through all conduit, fittings and conduit leads
- Junction boxes (and "Dial on Fan" if Vari-Green®) on top of the fan are inaccessible when outdoor cover is fully installed
- Using the plug provided in the conduit kit, plug the unused end cap hole

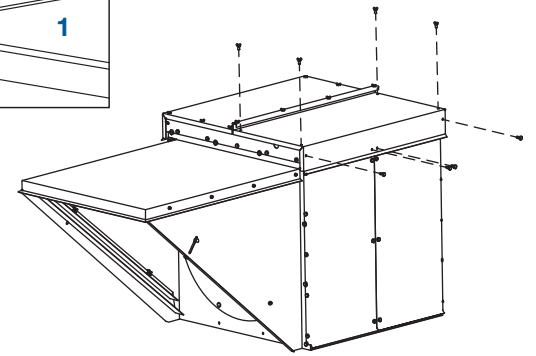
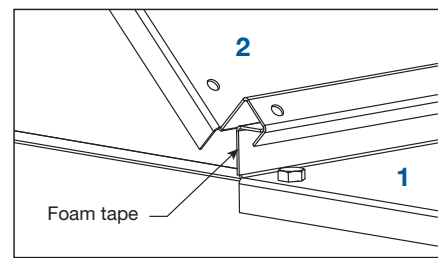


Step 13 - Install Top Panel(s) with Cover

- TAKE CARE NOT TO DAMAGE THE FOAM TAPE ON THESE PARTS
- Size 24:
Install the top panel of the outdoor cover to the fan using the provided self-tapping sheet metal screws



- Sizes 27-33:
1. Install the first top panel with the single return flange using the provided self-tapping sheet metal screws (reference 1)
2. Install the second top panel with the double return flange by hinging it around the first panel as illustrated (reference 2)
3. Use the self-tapping sheet metal screws to mount second panel



Step 14 - Install Filter(s)

- Loosen both thumb screws on the intake hood and drop filter tracks
- Aluminum washable filters come standard with the unit
- MERV13 pleated filters are optional and stack on top of the aluminum filters
- Return the filter tracks up to the operating position and tighten the thumb screws
- Follow filter replacement and/or cleaning intervals recommended by the filter supplier

Fan Size	Filter Size (in.)	Qty.
7	18.25 x 10.5	1
9	22 x 14.25	1
12	26.75 x 17.5	1
15	34.5 x 21.25	1
16	36.5 x 23.25	1
18	39.25 x 25.75	1
20	28.5 x 21.5	2
22	31.25 x 23.75	2
24	34.75 x 26.5	2
27	38.25 x 29	2
30	40 x 21.25	3
33	40 x 23.5	3

All dimensions in inches.

