

## Installation, Operation and Maintenance Manual

Please read and save these instructions for future reference. Read carefully before attempting to assemble, install, operate or maintain the product described. Protect yourself and others by observing all safety information. Failure to comply with these instructions will result in voiding of the product warranty and may result in personal injury and/or property damage.

### NOTE

Refer to the roofing system installation manual before installing curb to ensure warranty will remain valid.

### NOTE

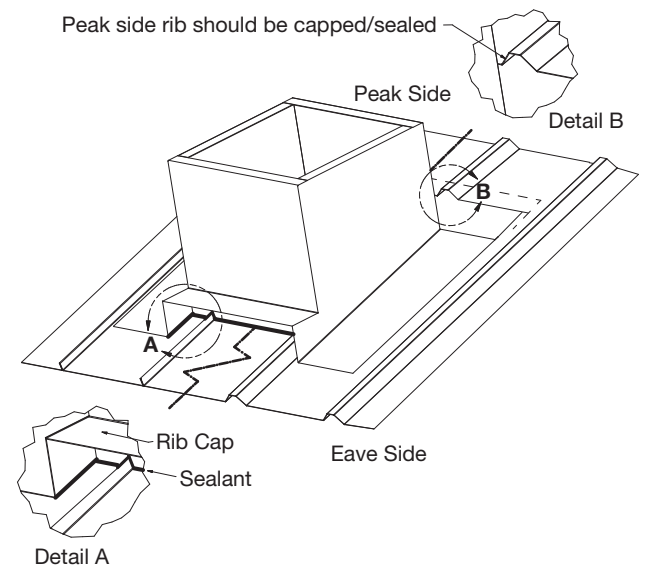
Install roof according to roofing manufacturer's installation guide before installing any roof curb.

### NOTE

Model GCC is compatible with all standing seam and corrugated roof profiles where the ribs are less than 4 inches tall.

## Installation

1. Place the curb in the desired location on the roof panel and mark the location of the four inside corners of the roof curb.
2. Cut roof panel to inside dimension of curb. On peak side of the roof, cut to the inside dimension of the curb plus 5 inches.
3. Slit roof panel back so peak side flange can be tucked underneath the roof panel. See **Figure 1**.
4. Apply caulking or sealant to the roof panel where the roof curb flanges will sit on the roof deck. Be sure to caulk all 4 sides.
5. Position the watershed cricket on the peak side of the roof. Slide flange (with cricket) underneath roof panel.
6. Push curb flush to opening on the eave side of the roof.
7. Fasten curb flanges with self-tapping fasteners with neoprene washers to the roof panels per local/state code. Recommended fastener spacing is 4 inches o.c. or less. Fasten through to framing or joists for secure installation.
8. Caulk all joints and edges after installation is complete, including back slits. On eave side, seal rib to interior curb face. On peak side, ribs to be capped and sealed; caps and sealant not provided.



NOTE: Images show two roofing types for illustration purposes.

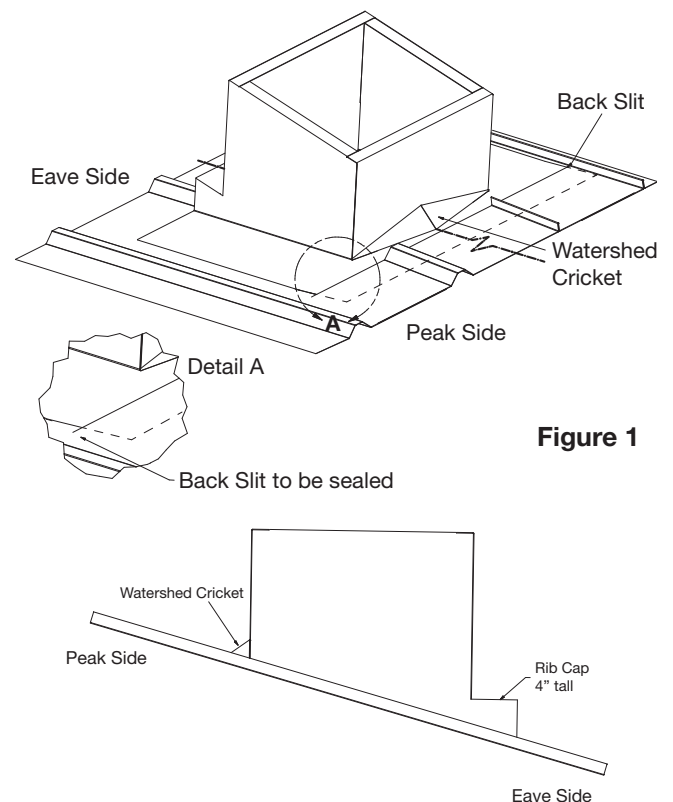


Figure 1

